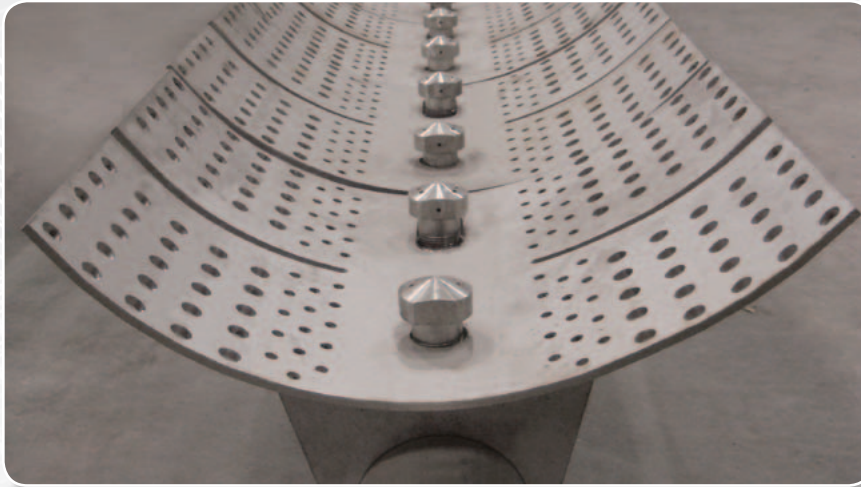




DBI DUCT BURNER

COMBUSTION AND ENVIRONMENTAL SOLUTIONS.
PURE AND SIMPLE.®

DB Series



Duct Burner Runner

ZEECO is a solutions-oriented company that combines proven, innovative technology with our extensive experience in the design, fabrication and operation of combustion equipment. Reliability is essential for profitable plant operations, so at Zeeco, we use only the highest quality components in order to maximize service life and eliminate unnecessary downtime.



3D Rendering of DBI Burner

DESCRIPTION

The ZEECO® DB Series duct burners for HRSG applications.

TECHNOLOGY

Zeeco uses a zone analysis type approach to determine the duct burner inlet conditions in different sections of the grid layout. By adjusting the amount of open area in the duct burner wing section in particular zones, the emissions, flame pattern and heat distribution profile can be better predicted and controlled.



BURNERS



FLARES



INCINERATORS



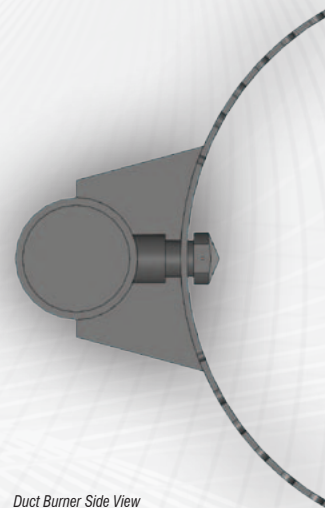
PARTS & SERVICE

COMBUSTION AND ENVIRONMENTAL SOLUTIONS.
PURE AND SIMPLE.®

DBI Duct Burner

DESIGN FEATURES

- Low emissions duct burner design
- Staging of oxygen content within the wing of the burner for lower NO_x and CO emissions
- Combustion air induction: fresh air & turbine exhaust
- Custom designed for each application with zone analysis
- Stable flame over a wide range of conditions
- High turndown of 10:1 or greater for most cases
- Compact flame shape
- Great heat distribution profile
- BMS (Burner Management Systems) are also available



Duct Burner Side View

DESIGN INFORMATION

| | |
|---|--------------------------------|
| Burner Type: | Duct Burner Insert |
| Burner Model: | DBI |
| Fuels: | Gas Only |
| NO _x Range (TEG) {natural gas fuel}: | 0.05 to 0.08 #/MM Btu |
| Heat Release Range / Linear Foot of Fired Length: | 2 to 5 MM Btu/hr |
| Flame Length @ 2 MM Btu/linear ft: | 4 ft to 6 ft long |
| Flame Length @ 3 MM Btu/linear ft: | 6 ft to 9 ft long |
| Flame Length @ 4 MM Btu/linear ft: | 8 ft to 12 ft long |
| Turndown: | 10:1 or greater for most cases |
| Inlet Velocity Range: | 45 ft/sec to 130 ft/sec |
| Preference: | 75 ft/sec |

CERTIFICATIONS APPLY TO ZEECO HEADQUARTERS ONLY.



Zeeco Corporate Headquarters
 22151 East 91st Street
 Broken Arrow, Oklahoma 74014 USA
 Phone: +1.918.258.8551
 Fax: +1.918.251.5519
 E-mail: sales@zeeco.com



zeeco.com

ZEECO® is a registered trademark of Zeeco, Inc. in the U.S.
 • ZEECO office, affiliate, sales, representative, or third party representative/licensee offices.
 © COPYRIGHT 2011 - ZEECO, INC. ALL RIGHTS RESERVED